

Compiled/Updated	LL
Approved	CD
Issued Date	5-6-26
Amendment	A3

# Product Data Sheet - Mats & Covers Clamp

*Polypropylene peg for securing Line Mats & Covers on a temporary basis.*

## Key Features:

- Ideal for clamping and securing the Balmoral range of Mats & Covers.
- Its design has finger ribs in the handle to promote better grip.
- The plastic tips are PVC coated to increase the grip on the mat or cover.
- Shrouded spring.
- UV resistant.



Figure 1 YS-211-3-5

Scan for instructions



**Part description:**

*Mats and covers*

Compiled/Updated	LL
Approved	CD
Issued Date	5-6-26
Amendment	A3

### Part No. Table (A)

Part No.	Description
YS-211-3-5	LV Clamp - 220x115x22-Polypropylene-Green

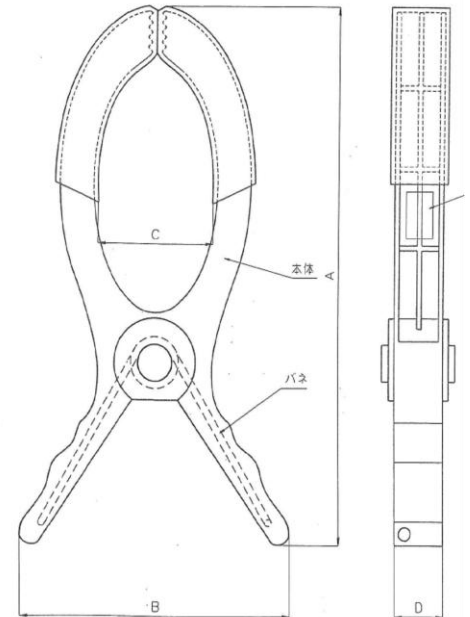
### Dimensions Table (B)

Length (A)	Width (B)	Jaw Closed Distance (C)	Material Thickness (D)	Jaw Open Distance (E)	Weight
220mm	115mm	55mm	22mm	138mm	100g

Note: Any dimensions or weights figures are estimates only.

### Materials Table (C)

Main Body	Green Polypropylene
Tips	Green PVC



*Disclaimer: BALMORAL ENGINEERING, ROTAMARKA, TIGER TAILS and BIRDFLAPPA are trademarks owned by Balmoral Engineering Pty Ltd. The information in this document or product specification is believed to be correct as of the date of issue and is subject to change without notice. This document should be read in conjunction with the applicable Instructions For Use (IFU) document. Data within Balmoral Engineering Product Data Sheet (PDS) may be subject to tolerances. These tolerances will be defined within the applicable PDS or made available on request. Results and output data in this data sheet are indicative of lab testing protocols and may vary in field applications or environments. BALMORAL ENGINEERING makes no guarantees, expressed or implied as to the merchantability or fitness for purpose. The products are only to be used and installed by industry certified personnel. If applicable, maximum test speeds should be endured by the Products for a limited time period no greater than those described in the lab protocols. Imperial system units of measure are approximations only and have been converted from the data originally recorded in the metric system. Performance of the device in extreme weather events or harsh environments is not warranted. If BALMORAL ENGINEERING sells any component of a product or kit, we make no representations or guarantees as to the serviceability of the actual product or kit into which the component is being added. Furthermore, it is recommended that any such addition to the kit is done by BALMORAL ENGINEERING. In relation to the Balmoral Engineering Visual Warning series of products, it should be noted that not all visual responses to the device are going to be similar or alike. As such, no guarantees can be given as to the products effectiveness. Given the variety of factors that can affect the use and application of a product, some of which are within the user's knowledge and control, it is essential that the user evaluate the product to determine whether it is fit for a particular purpose and suitable for the user's method of use or application. The purpose of this document is to provide a description of the product and/or guidance to the installation thereof. When installing Balmoral Engineering products, due consideration must be given to the user's training and practice methodologies including any requirements of the entity who owns the infrastructure onto which the BALMORAL ENGINEERING Product is being installed. This must take precedence over any guidance BALMORAL ENGINEERING may provide. Notwithstanding, that all the above guidelines are followed, the ultimate responsibility for installing and maintaining the product correctly is with the end user. BALMORAL ENGINEERING accepts no liability for consequential damage relating to wildfires or bushfires particularly in regard to incorrect installation. As service environments may differ markedly with each application, the level of care required may change and is solely the responsibility of the end user. Any product images displayed are representative only. The above data sheet is provided as an estimate of performance and life and is not a guarantee or warranty. © 2026. All Rights Reserved, Balmoral Engineering Pty Ltd.*